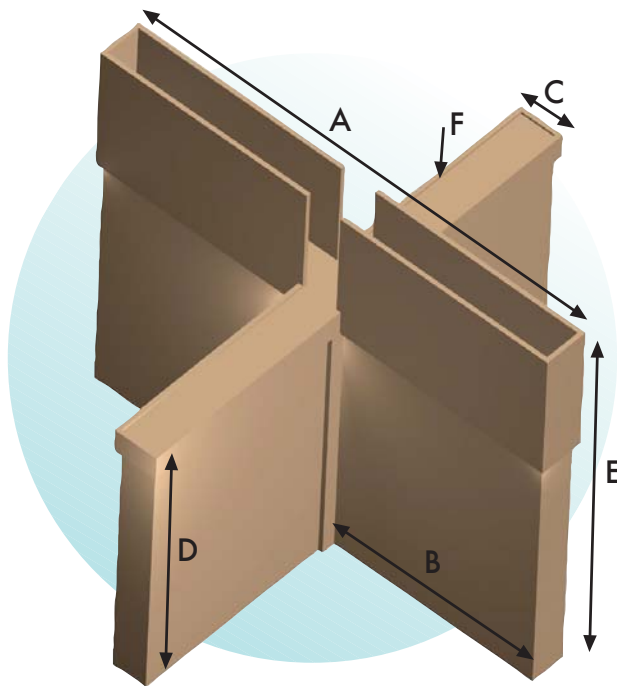


ELEVATED PLUS MAZE



Features & Benefits

- Made of durable, high density, non-porous plastic
- Available in black, white or beige
- One surface of the maze is smooth; the other is slightly textured
- Designed for optimal use with SDI ANY-Maze™ video tracking system that features:
 - User defined zones
 - Tracks time spent and distance traveled, speed and resting time in each zone
 - Customizable Reports

ELEVATED PLUS MAZE SPECIFICATIONS

	MAZE DIMENSIONS					
Mouse	(A) 26"	(B) 12"	(C) 2"	(D) 15.25"	(E) 21.25"	(E) 1/8" (lip)
Rat	(A) 43.5"	(B) 19.75"	(C) 4"	(D) 19.5"	(E) 31.5"	(E) .35" (lip)
Material Composition	1/4" Plastic					
Color Options	Black, White, Beige					

Elevated Plus Maze for Mice	Black	7001-0225	Elevated Plus Maze for Rats	Black	7001-0227
	White	7001-0336		White	7001-0338
	Beige	7001-0316		Beige	7001-0337

NOTE: Beige is the recommended color as it provides a neutral background for tracking both light and dark animals with the SDI ANY-Maze™ Video Tracking System.